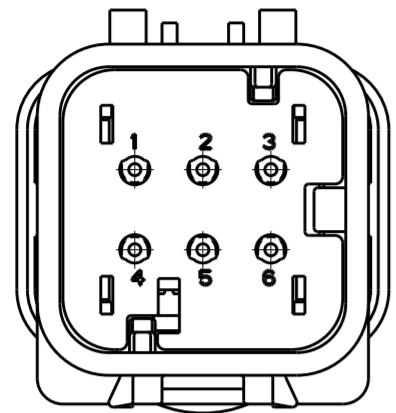
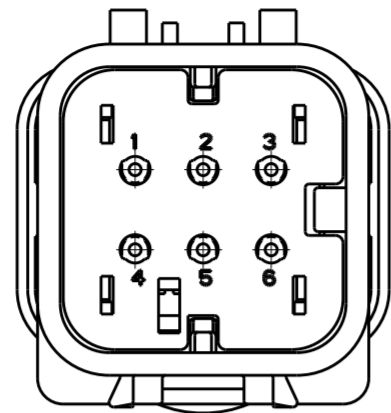


THIS DRAWING IS UNPUBLISHED
RELEASED FOR PUBLICATION
COPYRIGHT 20 BY - ALL RIGHTS RESERVED.

| REVISIONS | | | | |
|-----------|-----|---------------------------|-----------|-------|
| P | LTR | DESCRIPTION | DATE | APVD |
| C | | REVISED PER ECO-13-019168 | 05DEC2013 | DR RB |
| | | | | |
| | | | | |

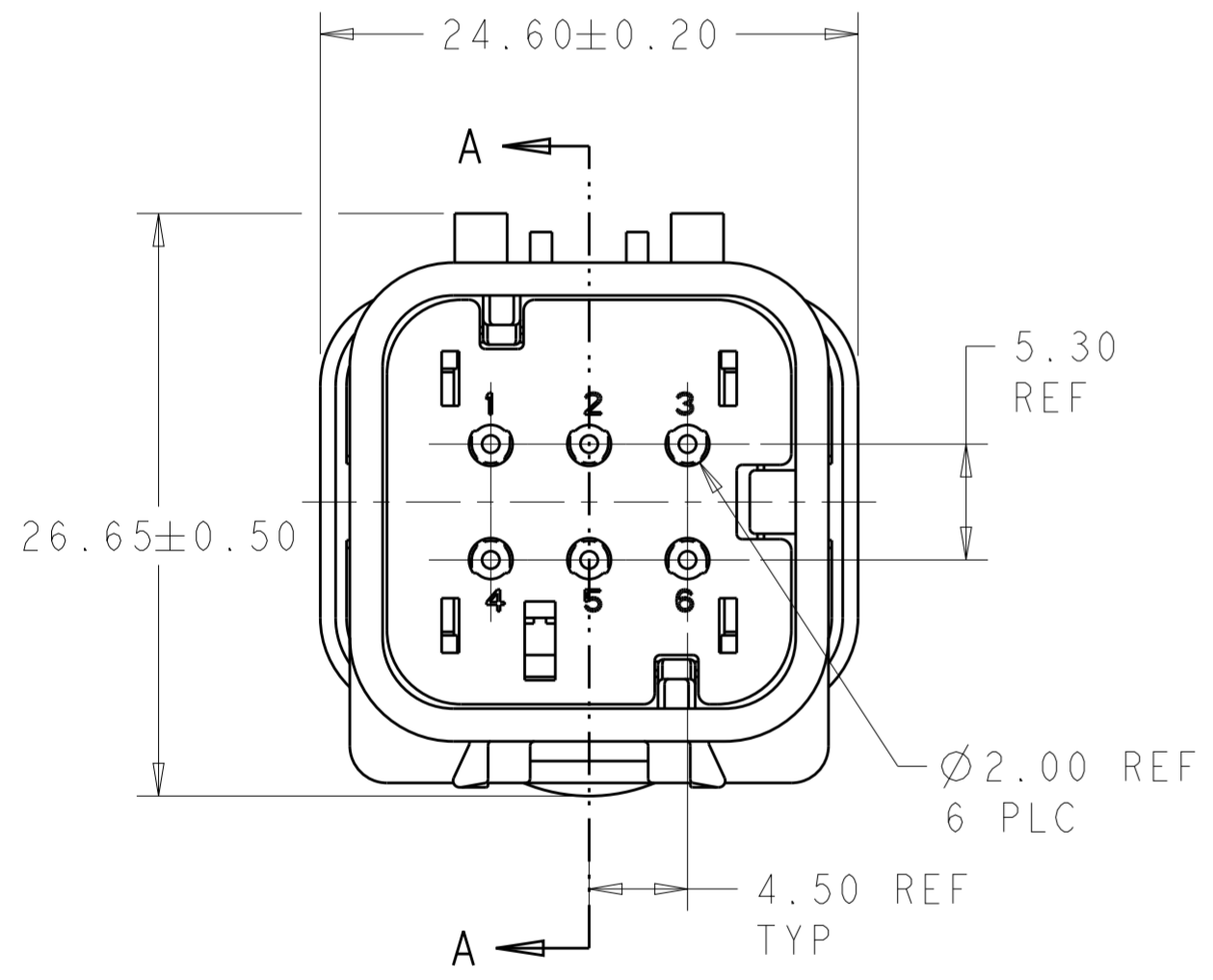


776537-2
SCALE 2:1

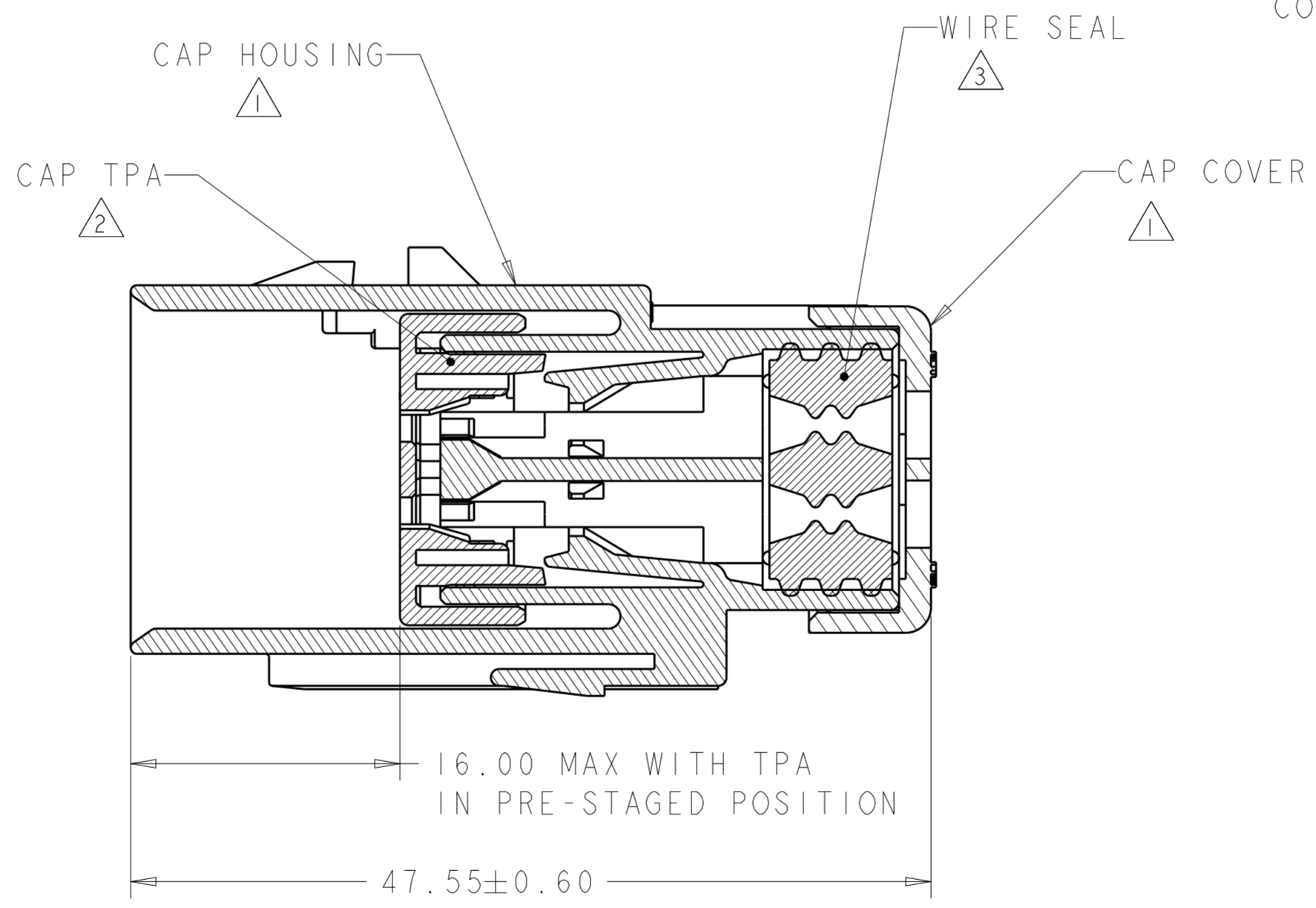


776537-3
SCALE 2:1

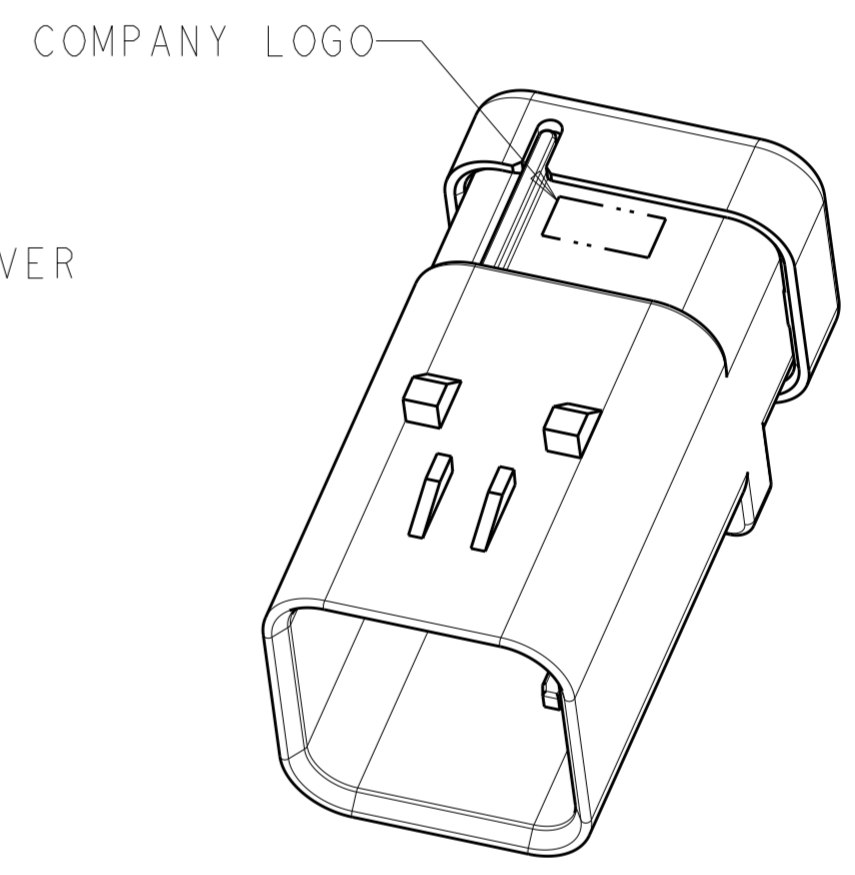
- ① MATERIAL: 15% GLASS FILLED THERMOPLASTIC
COLOR: BLACK
 - ② MATERIAL: 15% GLASS FILLED THERMOPLASTIC
COLOR: (SEE TABLE)
 - ③ MATERIAL: SILICONE
COLOR: LIGHT GRAY
4. RECOMMENDED WIRE DIAMETER RANGE IS 1.30 TO 2.54mm



776537-1 SHOWN



SECTION A-A
OPEN POSITION



SCALE 2:1

| | |
|-----------|-------------|
| YELLOW | 776537-3 |
| GRAY | 776537-2 |
| RED | 776537-1 |
| TPA COLOR | PART NUMBER |

| | | | | |
|----------------------------------------|--|-------------------------------|-------------------------------------------------------------------------------------------|--|
| THIS DRAWING IS A CONTROLLED DOCUMENT. | | DWN 04SEP2003 W. HOELSCHER | STE TE Connectivity | |
| DIMENSIONS: mm | | CHK 04SEP2003 J. PATTERSON | | |
| TOLERANCES UNLESS OTHERWISE SPECIFIED: | | APVD 04SEP2003 D. KLEIN | NAME CAP ASSEMBLY, 6 POSITION, 2 ROW, AMPSEAL 16 CONNECTOR REDUCED DIA WIRE SEAL | |
| 0 PLC ± | | PRODUCT SPEC 108-2184 | SIZE CAGE CODE DRAWING NO RESTRICTED TO | |
| 1 PLC ± | | APPLICATION SPEC 114-13065 | A200779 C-776537 | |
| 2 PLC ± | | WEIGHT 15.5 | SCALE 2:1 SHEET OF REV C | |
| 3 PLC ± | | Customer Drawing | | |
| 4 PLC ± | | | | |
| ANGLES ± | | | | |
| FINISH - | | | | |
| - | | | | |